

An aerial photograph of a large container ship docked at a port. The ship is heavily loaded with multi-colored shipping containers. Several tugboats are positioned around the ship, likely assisting with its movement. In the background, a large gantry crane is visible on the pier. The water is dark, and the sky is overcast.

# MARINE

**GALAXY**



# TIANJIN GALAXY VALVE CO.,LTD

## “ ” WHO WE ARE

---

TIANJIN GALAXY VALVE CO.,LTD established in 2003 in TIANJIN, CHINA, has now become an outstanding manufacturer devoted to providing innovative and reliable system solutions in diversified markets, like Water Utilities, Building Services, Firefighting, Marine, etc. With our customized design, larger than 25-acre production facility, more than 600 employees, we are ready to take part in global cooperation and competition in a larger scale and deeper extent.

## “ ” OUR VISION

---

“Quality first, Brand Goes to Glory”, with our dedicated job and constantly improvement, we hope to become your first and most reliable choice. At the meantime, it would be more than glory if we can make your job more energy-saving and make the world a bit better.



**专精特新**  
“小巨人”企业

## 天津银河阀门有限公司

工业和信息化部

有效期：2021年7月1日至2024年6月30日

## 高新技术企业证书

企业名称：天津银河阀门有限公司  
证书编号：GR20221200645  
发证时间：2022年11月15日  
有效期：三年

批准机关：

### TYPE APPROVAL CERTIFICATE

DNV GL

TYPE APPROVAL CERTIFICATE

TYPE APPROVAL CERTIFICATE

### Steel Castings

Material: Cast Iron

Manufacturer: Tianjin Galaxy Valve Co., Ltd.

Approval: DNV GL

### 中国合格评定国家认可委员会

中国认证认可协会

型式试验证书

颁发日期：2022年11月15日

### RECOGNITION FOR

DNV MODS

Tianjin Galaxy Valve Co., Ltd.

### ABS

ABS

ABS

### FM APPROVED

## Certificate of Compliance

INDICATING BUTTERFLY VALVES

Model 25C-300, Model 25W-300, and Model 25L-300

Sizes 2, 2-1/2, 3, 4, 5, and 6 inch NPS

Approved For: Tianjin Galaxy Valve Co., Ltd.

### CERTIFICATE OF COMPLIANCE

Certificate Number: 20191026-EX16669

Report Reference: EX-2009-2101193

Issue Date: 2019-10-26

Manufacturer: Tianjin Galaxy Valve Co., Ltd.

### 消防产品认证证书

CERTIFICATE FOR FIRE PRODUCT CERTIFICATION

颁发日期：2022年11月15日

制造商：天津银河阀门有限公司

### WRAS

WRAS

WRAS

### OFFICIAL LISTING

OFFICIAL LISTING

OFFICIAL LISTING

### LAPMO R&T OCEANA

### CERTIFICATE OF CONFORMITY

Tianjin Galaxy Valve Co., Ltd.

颁发日期：2022年11月15日

### OCEANAMARK SCHEDULE

OCEANAMARK SCHEDULE

Item No.	Item Name	Item No.	Item Name	Item No.	Item Name	Item No.	Item Name	Item No.	Item Name
001	10000	002	10000	003	10000	004	10000	005	10000
006	10000	007	10000	008	10000	009	10000	010	10000
011	10000	012	10000	013	10000	014	10000	015	10000
016	10000	017	10000	018	10000	019	10000	020	10000
021	10000	022	10000	023	10000	024	10000	025	10000
026	10000	027	10000	028	10000	029	10000	030	10000
031	10000	032	10000	033	10000	034	10000	035	10000
036	10000	037	10000	038	10000	039	10000	040	10000
041	10000	042	10000	043	10000	044	10000	045	10000
046	10000	047	10000	048	10000	049	10000	050	10000
051	10000	052	10000	053	10000	054	10000	055	10000
056	10000	057	10000	058	10000	059	10000	060	10000
061	10000	062	10000	063	10000	064	10000	065	10000
066	10000	067	10000	068	10000	069	10000	070	10000
071	10000	072	10000	073	10000	074	10000	075	10000
076	10000	077	10000	078	10000	079	10000	080	10000
081	10000	082	10000	083	10000	084	10000	085	10000
086	10000	087	10000	088	10000	089	10000	090	10000
091	10000	092	10000	093	10000	094	10000	095	10000
096	10000	097	10000	098	10000	099	10000	100	10000

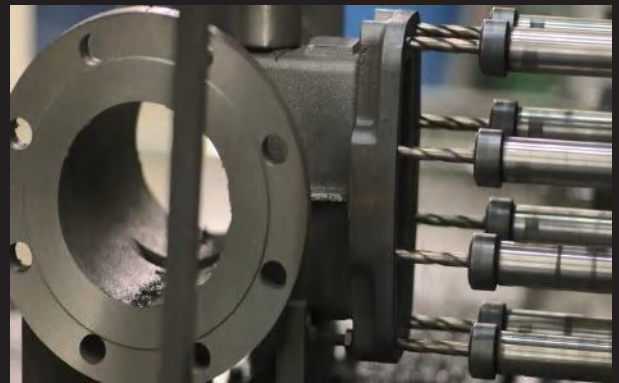




## R&D

---

Our engineering team is highly active in valve design and production. We've also set a learning center specialized in offering comprehensive and continuous classes led by experienced constructors. With these endeavor, we are able to deliver the most forward-thinking and customer-oriented solutions to the markets.



## CERTIFICATION

We've obtained ISO, CE, LR, VDA certificates for our factory including foundry, WRAS, NSF, Kitemark certificates for potable water products, FM, UL, CCC certificates for firefighting products, BV, ABS, TUV, DNV, GL, TS certificates for marine products.



## QUALITY CONTROL

We obtained the ISO9001, ISO14001, ISO45001 and other system certifications, and finished the VDA6.3 system process review in 2019. We set a complete and efficient organization to handle whole supply chain quality control, to ensure every process has been well-tested. We have the most advanced and sufficient testing machines for comprehensive, environmental, mechanics, chemical researches and hundreds of regular testing machines for quality assurance and product development.





## KEY PRODUCT

# Concentric Vulcanized Butterfly Valve

Ballast Water System

Desulfurization System

Valve Remote Control System

Tank Gauging System

Bilge Water System



## Product Feature

Concentric vulcanized butterfly valve complies with GBT3036-2017, has gained CCS, ABS, BV, DNV, LR approvals. The valve adopts a scientific design with large flow rate and low pressure loss, and has low operating torque, which effectively reduces the cost of actuator selection. The valve has passed the sulfur dioxide corrosion test and salt spray test, and has a long service life and stable performance.

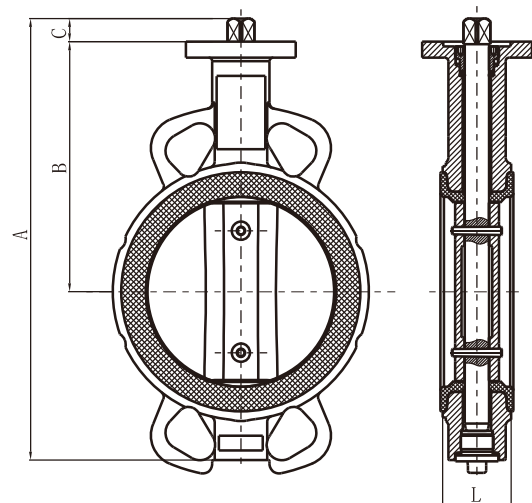
- Compact design of valve body, suitable for narrow space
- Low torque, long life performance
- Vulcanized valve seat design, seawater corrosion resistance, tensile resistance
- High strength stainless steel valve shaft
- High performance pneumatic actuator, optional positioner, limit switch, solenoid valve, filter pressure reducing valve are available for option.
- Valve body epoxy paint above 175 microns, better corrosion resistance
- Widen the sealing width of the structural surface seat to reduce the risk of installation leakage
- The upper and lower packing structure is sealed to prevent leakage
- Side flanges are available in multiple standards



# Fig.2330 Concentric Vulcanized Wafer Butterfly Valve

Technical Specification	
Item	Specification
Design Standard	GB/T3036-2017
Working Pressure	PN6/PN10/PN16/PN25
Nominal Diameter	DN40-1000
Flange Connection	GB/T9119-2010/ BS EN1092-2 PN10/PN16/PN25/ ASME Class150/JIS B2239 10K
Working Temperature	-20°C to 110°C (EPDM)
	-10°C to 80°C (NBR)
	-10°C to 130°C (Viton)
Suitable Media	Water,Oil&Gas
Actuator	Manual/Electric/Pneumatic/ Hydraulic/Electrohydraulic

Material Specification		
Part	Material	ASTM
Body	Ductile Iron	QT450-10
	WCB	
Disc	Bronze	B148 C95800
	Ductile Iron	A536 Gr.65-45-12
	Bronze	B148 C95800
	Stainless Steel	1.4462/1.4469/1.4529
Shaft	Stainless Steel	SS 304/316/316L
	Stainless Steel	420/316/316L
	Stainless Steel	F51/F53/F55
Seat Ring	EPDM/NBR/Viton/PTFE	
O-Ring	EPDM/NBR/Viton	
Bushing	PTFE	
	Bronze	CuSn5Pb5Zn5
	PAP	



### Dimensions(mm)

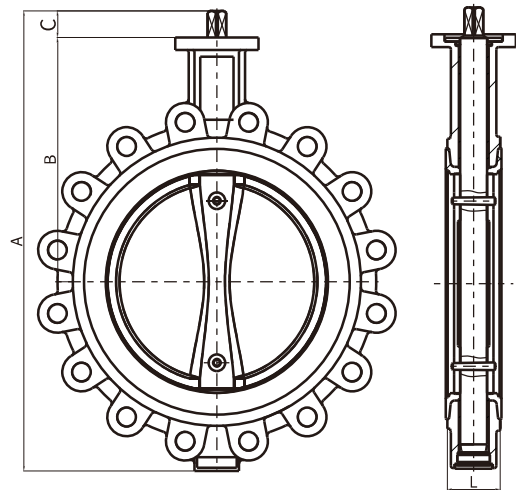
DN	mm	40	50	65	80	100	125	150	200	250	300
	Inch	1-1/2	2	2-1/2	3	4	5	6	8	10	12
A		198	230	253	276	304	332	362	429	506	583
B		115	143	156	162	177	190	205	236	267	308
C		15	15	19	19	19	19	19	25	32	32
L		33	43	46	46	52	56	56	60	68	78

DN	mm	350	400	450	500	600	700	750	800	900	1000
	Inch	14	16	18	20	24	28	30	32	36	40
A		674	794	846	946	1099	1160	1240	1290	1410	1523
B		368	400	422	480	562	560	590	620	675	735
C		34	52	52	64	70	110	110	120	120	120
L		78	102	114	127	154	165	190	190	203	216

Note: Information listed might be subject to change without notice due to continuing products development.

Technical Specification	
Item	Specification
Design Standard	GB/T3036-2017
Working Pressure	PN6/PN10/PN16/PN25
Nominal Diameter	DN40-1000
Flange Connection	GB/T9119-2010/ BS EN1092-2 PN10/PN16/PN25/ ASME Class150/JIS B2239 10K
Working Temperature	-20°C to 110°C (EPDM)
	-10°C to 80°C (NBR)
	-10°C to 130°C (Viton)
Suitable Media	Water,Oil&Gas
Actuator	Manual/Electric/Pneumatic/ Hydraulic/Electrohydraulic

Material Specification		
Part	Material	ASTM
Body	Ductile Iron	QT450-10
	WCB	
	Bronze	B148 C95800
Disc	Ductile Iron	A536 Gr.65-45-12
	Bronze	B148 C95800
	Stainless Steel	1.4462/1.4469/1.4529
	Stainless Steel	SS 304/316/316L
Shaft	Stainless Steel	420/316/316L
	Stainless Steel	F51/F53/F55
Seat Ring	EPDM/NBR/Viton/PTFE	
O-Ring	EPDM/NBR/Viton	
Bushing	PTFE	
	Bronze	CuSn5Pb5Zn5
	PAP	



Dimensions(mm)

DN	mm	40	50	65	80	100	125	150	200	250	300
	Inch	1-1/2	2	2-1/2	3	4	5	6	8	10	12
A		198	230	253	276	304	332	362	429	506	583
B		115	143	156	162	177	190	205	236	267	308
C		15	15	19	19	19	19	19	25	32	32
L		33	43	46	46	52	56	56	60	68	78

DN	mm	350	400	450	500	600	700	750	800	900	1000
	Inch	14	16	18	20	24	28	30	32	36	40
A		674	794	846	946	1099	1160	1240	1290	1410	1523
B		368	400	422	480	562	560	590	620	675	735
C		34	52	52	64	70	110	110	120	120	120
L		78	102	114	127	154	165	190	190	203	216

Note: Information listed might be subject to change without notice due to continuing products development.



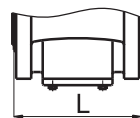
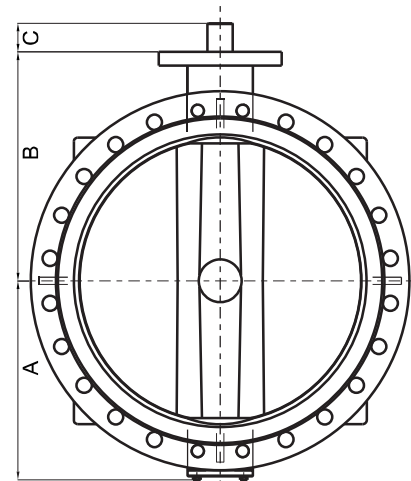
Fig.2123  
Concentric Double Flanged Butterfly Valve



Technical Specification	
Item	Specification
Design Standard	GB/T3036-2017
Working Pressure	PN6/PN10/PN16/PN25
Nominal Diameter	DN40-1000
Flange Connection	GB/T9119-2010/ BS EN1092-2 PN10/PN16/PN25/ ASME Class150/JIS B2239 10K
Working Temperature	-20°C to 110°C (EPDM)
	-10°C to 80°C (NBR)
	-10°C to 130°C (Viton)
Suitable Media	Water,Oil&Gas
Actuator	Manual/Electric/Pneumatic/ Hydraulic/Electrohydraulic



Material Specification		
Part	Material	ASTM
Body	Ductile Iron	QT450-10
	WCB	
	Bronze	B148 C95800
Disc	Ductile Iron	A536 Gr.65-45-12
	Bronze	B148 C95800
	Stainless Steel	1.4462/1.4469/1.4529
	Stainless Steel	SS 304/316/316L
Shaft	Stainless Steel	420/316/316L
	Stainless Steel	F51/F53/F55
Seat Ring	EPDM/NBR/Viton/PTFE	
O-Ring	EPDM/NBR/Viton	
Bushing	PTFE	
	Bronze	CuSn5Pb5Zn5
	PAP	



Dimensions(mm)

DN	mm	50	65	80	100	125	150	200	250	300
	Inch	2	2-1/2	3	4	5	6	8	10	12
A		80	80	95	114	114	139	175	203	242
B		110	134	131	150	170	180	210	245	276
C		30	30	30	30	30	30	34	34	34
L		108	112	114	127	140	140	152	165	178

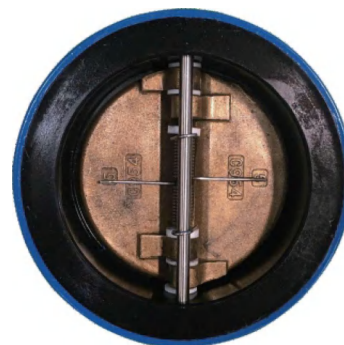
DN	mm	350	450	500	600	700	800	900	1000	-
	Inch	14	18	20	24	28	32	36	40	-
A		250	341	367	432	490	550	615	668	-
B		328	407	433	508	560	620	675	735	-
C		40	52	64	70	110	120	120	120	-
L		190	222	229	267	292	318	330	410	-

Note: Information listed might be subject to change without notice due to continuing products development.

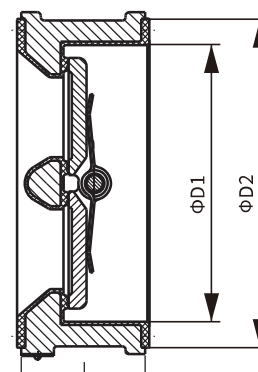
Fig.5316  
Vulcanized Dual Plate Wafer Check Valve



Technical Specification	
Item	Specification
Design Standard	CB/T4351-2014
Working Pressure	PN6/PN10/PN16/PN25
Nominal Diameter	DN40-800
Flange Connection	GB/T9119-2010/PN16 / PN25
Working Temperature	-20°C to 110°C (EPDM)
	-10°C to 80°C (NBR)
	-10°C to 80°C (Viton)
Suitable Media	Water, Oil&Gas



Material Specification		
Part	Material	Specification
Body	Ductile Iron	QT450-10
	WCB	
Disc	Stainless Steel	0Cr19Ni9
	Stainless Steel	1.4462/1.4469/1.4529
	Bronze	B148 C95400/C95800
Shaft	Stainless Steel	SS 316/316L
	Monel	
	Inconel	
Seat	EPDM/NBR/Viton	-



Dimensions(mm)

DN	mm	40	50	65	80	100	125	150	200	250
	Inch	1-1/2	2	2-1/2	3	4	5	6	8	10
	L	43	43	46	64	64	70	76	89	114
	ΦD1	65	65	80	94	117	145	170	224	267
	ΦD2	96	96	114	129	151	177	204	265	311

DN	mm	300	350	400	450	500	600	700	800	-
	Inch	12	14	16	18	20	24	28	32	-
	L	114	127	140	152	152	178	229	241	-
	ΦD1	310	360	410	450	505	624	722	825	-
	ΦD2	361	417	464	514	568	670	-	-	-

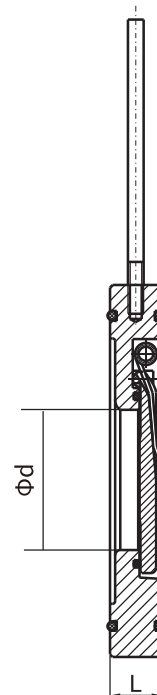
Note: Information listed might be subject to change without notice due to continuing products development.



Technical Specification	
Item	Specification
Design Standard	CB/T3819-2013
Working Pressure	PN6/PN10/PN16/PN25
Nominal Diameter	DN32-300
Flange Connection	GB/T9119-2010/ BS EN1092-2 PN10/PN16/PN25/ ASME Class150/JIS B2239 10K
Working Temperature	-20°C to 110°C (EPDM) -10°C to 80°C (NBR)
Suitable Media	Water, Oil&Gas



Material Specification		
Part	Material	Specification
Body	WCB	
	Stainless Steel	
	Cu	
Disc	WCB	QT450-10
	Stainless Steel	
	Cu	
Shaft	WCB	
	Stainless Steel	
	Cu	
Seat Ring	EPDM/NBR/Viton	-
Spring	Stainless Steel	SS304



Dimensions(mm)

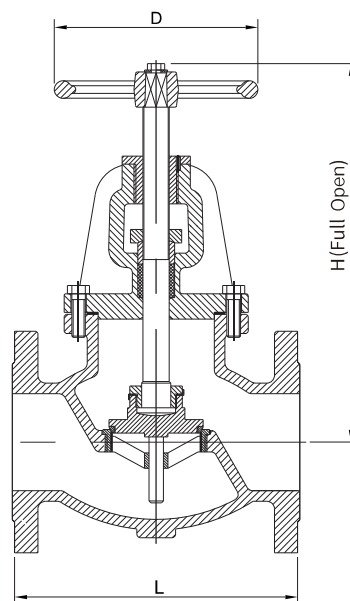
DN	mm	32	40	50	65	80	100	125	150	200	250	300
	Inch	1-1/4	1-1/2	2	2-1/2	3	4	5	6	8	10	12
L		14	14	18	20	20	20	22	22	22	26	32
φd		20	22	32	40	54	70	92	112	154	192	227

Note: Information listed might be subject to change without notice due to continuing products development.

Technical Specification	
Item	Specification
Design Standard	GB/T590-2008
Working Pressure	16bar
Nominal Diameter	DN50-300
Flange Connection	BS EN1092-2 PN10/PN16/PN25/ASME Class150/JIS B2239 10K
Working Temperature	-20°C to 120°C
Suitable Media	Water, Oil&Gas



Material Specification		
Part	Material	Specification
Body	Ductile Iron	QT400
Cover	Ductile Iron	QT400
Disc	Ductile Iron	QT400
Seat Ring	Bronze	CuSn5Pb5Zn5
Shaft	Stainless Steel	2Cr13
Packing	Graphite	Non-asbestos
Handle	Cast Iron	HT250



Dimensions(mm)

DN	mm	50	65	80	100	125	150	200	250	300
	Inch	2	2-1/2	3	4	5	6	8	10	12
L		203	216	241	292	330	356	495	622	699
H(全开)		295	336	345	389	425	511	580	720	859
D		178	178	200	254	300	300	348	400	457

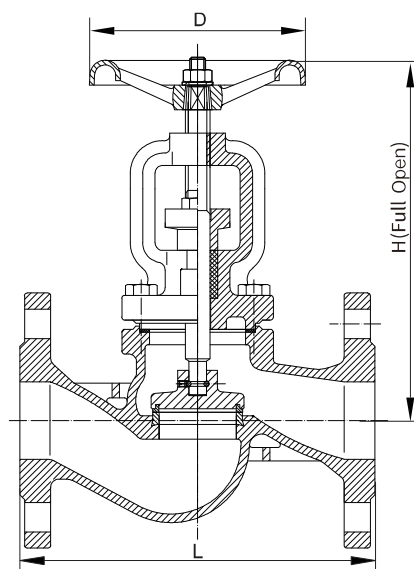
Note: Information listed might be subject to change without notice due to continuing products development.



Technical Specification	
Item	Specification
Design Standard	GB/T590-2008
Working Pressure	10bar/16bar
Nominal Diameter	DN15-300
Flange Connection	BS EN1092-2 PN10/PN16/PN25/ASME Class150/JIS B2239 10K
Working Temperature	-10°C to 200°C
Suitable Media	Water, Oil&Gas



Material Specification		
Part	Material	Specification
Body	Ductile Iron	QT400
Cover	Ductile Iron	QT400
Disc	Stainless Steel (DN15-50)	20Cr13
	Ductile Iron (DN60-300)	QT400
Seal Ring	WCB	5CrNi189
	Stainless Steel	5CrNi189
Seat Ring	Stainless Steel	20Cr13
Packing	Graphite	Non-asbestos
Handle	WCB	HT250



Dimensions(mm)

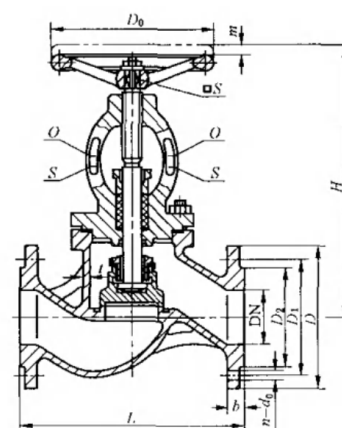
DN	mm	15	20	25	32	40	50	65	80	100	125	150	200	250	300
	Inch	1/2	3/4	1	1-1/4	1-1/2	2	2-1/2	3	4	5	6	8	10	12
L		130	150	160	180	200	230	290	310	350	400	480	600	730	850
H(全开)		160	164	166	192	199	235	261	300	357	396	465	488	635	800
D		100	100	120	120	140	140	200	200	240	280	315	360	400	500

Note: Information listed might be subject to change without notice due to continuing products development.

Fig.6312  
Bronze Globe Valve(AS Type)

Technical Specifici	
Item	Specification
Design Standard	GB/T587-2008
Type	AS Type
Working Pressure/ DN	0.6 Mpa DN15-DN150
	1.6Mpa DN65-DN150 2.5Mpa DN15-DN125
Suitable Media	Water, Oil&Gas

Material Specific.		
Part	Material	Specification
Body	Cast Tin Bronze	ZCuSn10Zn2 / ZCuSn5Pb5Zn5
Cover	Cast Tin Bronze	ZCuSn10Zn2 / ZCuSn5Pb5Zn5
Disc	Cast Tin Bronze	ZCuSn10Zn2 / ZCuSn5Pb5Zn5
Shaft	Aluminium Bronze	CuA19Mn2



Dimensions(mm)

PN Mpa	DN Mm	L Mm	H Mm	Thickness Mm	Flange					Nut N	Th	Handle		Route M
					D	D1	D2	d0	b			Do	□S	
0.6	15	130	217	4	80	55	40	11	12	4	M10	80	8	7
0.6	20	150	217	4	90	65	50	11	12	4	M10	80	8	7
0.6	25	160	217	4	100	75	60	11	14	4	M10	80	8	7
0.6	32	180	236	5	120	90	70	14	15	4	M12	100	9	9
0.6	40	200	260	5	130	100	80	14	16	4	M12	120	11	11
0.6	50	230	288	5	140	110	90	14	17	4	M12	140	12	14
0.6	65	290	310	6	160	130	110	14	17	4	M16	140	12	17
0.6	80	310	345	6	190	150	128	18	19	4	M16	160	14	20
0.6	100	350	374	6	210	170	148	18	20	4	M16	180	14	25
0.6	125	400	426	7	240	200	178	18	20	8	M16	200	17	32
0.6	150	480	487	7	265	225	202	18	20	8	M16	200	17	38
1.6	65	290	334	6	185	145	122	18	17	4	M16	160	14	19
1.6	80	310	366	6	200	160	133	18	19	8	M16	200	17	20
1.6	100	350	427	6	220	180	158	18	20	8	M16	250	22	25
1.6	125	400	465	7	250	210	184	18	22	8	M16	250	22	32
1.6	150	480	524	8	285	240	212	22	22	8	M20	280	24	38
2.5	15	130	217	5	95	65	47	14	12	4	M12	80	8	7
2.5	20	150	217	5	105	75	58	14	12	4	M12	80	8	7
2.5	25	160	217	5	115	85	68	14	14	4	M12	80	8	7
2.5	32	180	236	5	140	100	78	18	15	4	M16	100	9	9
2.5	40	200	260	5	150	110	88	18	16	4	M16	120	11	11
2.5	50	230	288	6	165	125	102	18	17	4	M16	140	12	14
2.5	65	290	334	7	185	145	122	18	17	8	M16	160	14	19
2.5	80	310	362	7	200	160	133	18	19	8	M16	200	17	20
2.5	100	350	427	8	235	190	158	22	20	8	M20	250	22	25
2.5	125	400	493	9	270	220	184	26	26	8	M24	280	24	32

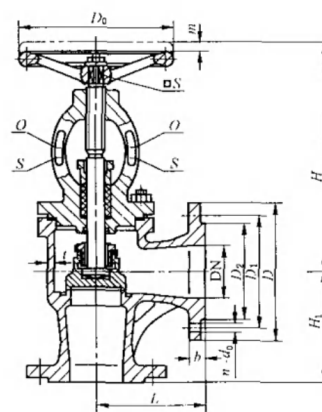
Note: Information listed might be subject to change without notice due to continuing products development.



Technical Specification	
Item	Specification
Design Standard	GB/T587-2008
Type	BS Type
Working Pressure/ DN	0.6 Mpa DN15-DN150
	1.6 Mpa DN65-DN150
	2.5 Mpa DN15-DN125
Suitable Media	Water, Oil&Gas



Material Specification		
Part	Material	Specification
Body	Cast Tin Bronze	ZCuSn10Zn2 / ZCuSn5Pb5Zn5
Cover	Cast Tin Bronze	ZCuSn10Zn2 / ZCuSn5Pb5Zn5
Disc	Cast Tin Bronze	ZCuSn10Zn2 / ZCuSn5Pb5Zn5
Shaft	Aluminium Bronze	CuAl19Mn2



Dimensions(mm)

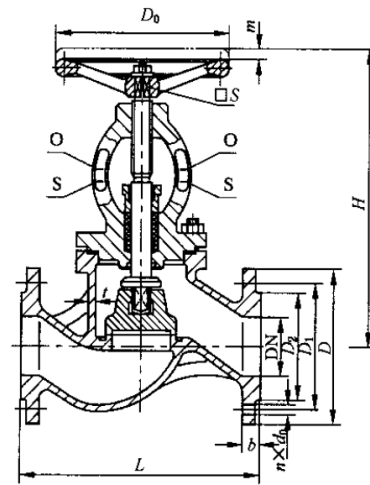
PN Mpa	DN Mm	L Mm	H Mm	H1 Mm	Thickness		Flange			Nut N	Handle Do	Route M			
					Mm	D	D1	D2	d0				b	Th	□S
0.6	15	90	203	90	4	80	55	40	11	12	4	M10	80	8	7
0.6	20	95	203	95	4	90	65	50	11	12	4	M10	80	8	7
0.6	25	100	203	100	4	100	75	60	11	14	4	M10	80	8	7
0.6	32	105	216	105	5	120	90	70	14	15	4	M12	100	9	9
0.6	40	115	236	115	5	130	100	80	14	16	4	M12	120	11	11
0.6	50	125	258	125	5	140	110	90	14	17	4	M12	140	12	14
0.6	65	145	275	145	6	160	130	110	14	17	4	M16	140	12	17
0.6	80	155	298	155	6	190	150	128	18	19	4	M16	160	14	20
0.6	100	175	325	175	6	210	170	148	18	20	4	M16	180	14	25
0.6	125	200	366	200	7	240	200	178	18	20	8	M16	200	17	32
0.6	150	225	415	225	7	265	225	202	18	20	8	M16	200	17	38
1.6	65	145	301	145	6	185	145	122	18	17	4	M16	160	14	19
1.6	80	155	321	155	6	200	160	133	18	19	8	M16	200	17	20
1.6	100	175	378	175	6	220	180	158	18	20	8	M16	250	22	25
1.6	125	200	405	200	7	250	210	184	18	22	8	M16	250	22	32
1.6	150	225	457	225	8	285	240	212	22	22	8	M20	280	24	38
2.5	15	90	203	90	5	95	65	47	14	12	4	M12	80	8	7
2.5	20	95	203	95	5	105	75	58	14	12	4	M12	80	8	7
2.5	25	100	203	100	5	115	85	68	14	14	4	M12	80	8	7
2.5	32	105	216	105	5	140	100	78	18	15	4	M16	100	9	9
2.5	40	115	236	115	5	150	110	88	18	16	4	M16	120	11	11
2.5	50	125	258	125	6	165	125	102	18	17	4	M16	140	12	14
2.5	65	145	301	145	7	185	145	122	18	17	8	M16	160	14	19
2.5	80	155	321	155	7	200	160	133	18	19	8	M16	200	17	20
2.5	100	175	378	175	8	235	190	158	22	20	8	M20	250	22	25
2.5	125	200	433	200	9	270	220	184	26	26	8	M24	280	24	32

Note: Information listed might be subject to change without notice due to continuing products development.

Fig.6315  
Bronze Stop-check Valve(AS Type)

Technical Specification	
Item	Specification
Design Standard	GB/T588-2009
Type	BS Type
Working Pressure/ DN	0.6 Mpa DN15-DN150
	1.6Mpa DN65-DN150 2.5Mpa DN15-DN125
Suitable Media	Water, Oil&Gas

Material Specification		
Part	Material	Specification
Body	Cast Tin Bronze	ZCuSn5Pb5Zn5
Cover	Cast Tin Bronze	ZCuSn5Pb5Zn5
Disc	Cast Tin Bronze	ZCuSn5Pb5Zn5
Gland Nut	Cast Tin Bronze	ZCuSn5Pb5Zn5
Shaft	Aluminium Bronze	QA19-2



Dimensions(mm)

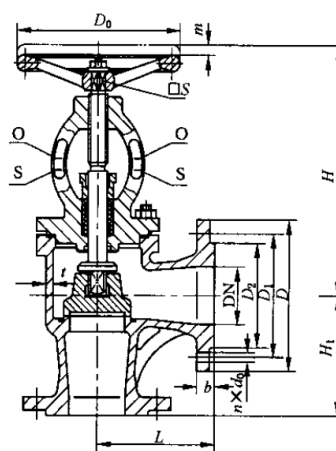
PN Mpa	DN Mm	L Mm	H Mm	Thickness		Flange				Nut N	Th	Handle Do	□S	Route M
				Mm	D	D1	d0	b						
0.6	15	130	217	4	80	55	40	11	12	4	M10	80	8	7
0.6	20	150	217	4	90	65	50	11	12	4	M10	80	8	7
0.6	25	160	217	4	100	75	60	11	14	4	M10	80	8	7
0.6	32	180	236	5	120	90	70	14	15	4	M12	100	9	9
0.6	40	200	260	5	130	100	80	14	16	4	M12	120	11	11
0.6	50	230	288	5	140	110	90	14	17	4	M12	140	12	14
0.6	65	290	308	6	160	130	110	14	17	4	M12	140	12	17
0.6	80	310	339	6	190	150	128	18	19	4	M16	160	14	20
0.6	100	350	364	6	210	170	148	18	20	4	M16	180	14	25
0.6	125	400	414	7	240	200	178	18	20	8	M16	200	17	32
0.6	150	480	468	7	265	225	202	18	20	8	M16	200	17	38
1.6	65	290	334	6	185	145	122	18	17	4	M16	160	14	19
1.6	80	310	362	6	200	160	133	18	19	8	M16	200	17	20
1.6	100	350	417	6	220	180	158	18	20	8	M16	250	20	25
1.6	125	400	450	7	250	210	184	18	22	8	M16	250	22	32
1.6	150	480	505	8	285	240	212	22	22	8	M20	280	24	38
2.5	15	130	217	5	95	65	47	14	12	4	M12	80	8	7
2.5	20	150	217	5	105	75	58	14	12	4	M12	80	8	7
2.5	25	160	217	5	115	85	68	14	14	4	M12	80	8	7
2.5	32	180	236	5	140	100	78	18	15	4	M16	100	9	9
2.5	40	200	260	5	150	110	88	18	16	4	M16	120	11	11
2.5	50	230	288	6	165	125	102	18	17	4	M16	140	12	14
2.5	65	290	334	7	185	145	122	18	17	8	M16	160	14	19
2.5	80	310	362	7	200	160	133	18	19	8	M16	200	17	20
2.5	100	350	417	8	235	190	158	22	20	8	M20	250	20	25
2.5	125	400	481	9	270	220	184	26	26	8	M24	280	24	32

Note: Information listed might be subject to change without notice due to continuing products development.

Technical Specification	
Item	Specification
Design Standard	GB/T588-2009
Type	BS Type
Working Pressure/ DN	0.6 Mpa DN15-DN150
	1.6Mpa DN65-DN150
	2.5Mpa DN15-DN125
Suitable Media	Water, Oil&Gas



Material Specification		
Part	Material	Specification
Body	Cast Tin Bronze	ZCuSn5Pb5Zn5
Cover	Cast Tin Bronze	ZCuSn5Pb5Zn5
Disc	Cast Tin Bronze	ZCuSn5Pb5Zn5
Gland Nut	Cast Tin Bronze	ZCuSn5Pb5Zn5
Shaft	Aluminium Bronze	QAl9-2



Dimensions(mm)

PN Mpa	DN Mm	L Mm	H Mm	H1 Mm	Thickness		Flange			Nut N	Handle Do	Route M			
					Mm	D	D1	D2	d0				b	Th	□S
0.6	15	90	203	90	4	80	55	40	11	12	4	M10	80	8	7
0.6	20	95	203	95	4	90	65	50	11	12	4	M10	80	8	7
0.6	25	100	203	100	4	100	75	60	11	14	4	M10	80	8	7
0.6	32	105	216	105	5	120	90	70	14	15	4	M12	100	9	9
0.6	40	115	236	115	5	130	100	80	14	16	4	M12	120	11	11
0.6	50	125	258	125	5	140	110	90	14	17	4	M12	140	12	14
0.6	65	145	275	145	6	160	130	110	14	17	4	M12	140	12	17
0.6	80	155	298	155	6	190	150	128	18	19	4	M16	160	14	20
0.6	100	175	315	175	6	210	170	148	18	20	4	M16	180	14	25
0.6	125	200	354	200	7	240	200	178	18	20	8	M16	200	17	32
0.6	150	225	376	225	7	265	225	202	18	20	8	M16	200	17	38
1.6	65	145	301	145	6	185	145	122	18	17	4	M16	160	14	19
1.6	80	155	321	155	6	200	160	133	18	19	8	M16	200	17	20
1.6	100	175	368	175	6	220	180	158	18	20	8	M16	250	20	25
1.6	125	200	393	200	7	250	210	184	18	22	8	M16	250	22	32
1.6	150	225	433	225	8	285	240	212	22	22	8	M20	280	24	38
2.5	15	90	203	90	5	95	65	47	14	12	4	M12	80	8	7
2.5	20	95	203	95	5	105	75	58	14	12	4	M12	80	8	7
2.5	25	100	203	100	5	115	85	68	14	14	4	M12	80	8	7
2.5	32	105	216	105	5	140	100	78	18	15	4	M16	100	9	9
2.5	40	115	236	115	5	150	110	88	18	16	4	M16	120	11	11
2.5	50	125	258	125	6	165	125	102	18	17	4	M16	140	12	14
2.5	65	145	301	145	7	185	145	122	18	17	8	M16	160	14	19
2.5	80	155	321	155	7	200	160	133	18	19	8	M16	200	17	20
2.5	100	175	368	175	8	235	190	158	22	20	8	M20	250	20	25
2.5	125	200	421	200	9	270	220	184	26	26	8	M24	280	24	32

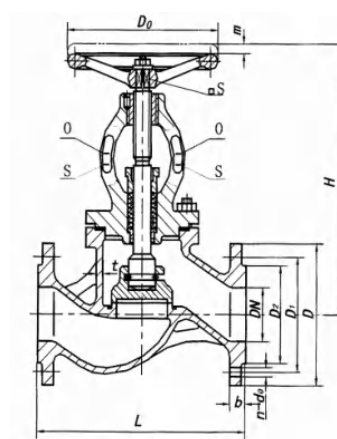
Note: Information listed might be subject to change without notice due to continuing products development.



Fig.6412  
Stainless Steel Globe Valve(AS Type)

Technical Specification	
Item	Specification
Design Standard	CB/T3942-2002
Type	AS Type
Working Pressure/ DN	0.6 Mpa DN15-DN300
	1.0Mpa DN200-DN300
	1.6Mpa DN100-DN300
	2.5Mpa DN15-DN300
Suitable Media	4.0Mpa DN65-DN100
	Water, Oil&Gas

Material Specification		
Part	Material	Specification
Body	Stainless Steel	ZGCr18Ni9/ ZG00Cr17Ni14Mo3
Disc	Stainless Steel	ZGCr18Ni9/ ZG00Cr17Ni14Mo3
Cover	Stainless Steel	ZGCr18Ni9/ ZG00Cr17Ni14Mo3
Shaft	Stainless Steel	0Cr13
Packing	PTFE	-
PN $\geq$ 4.0MPa Butt Welded Sealing Surface	Stellite	

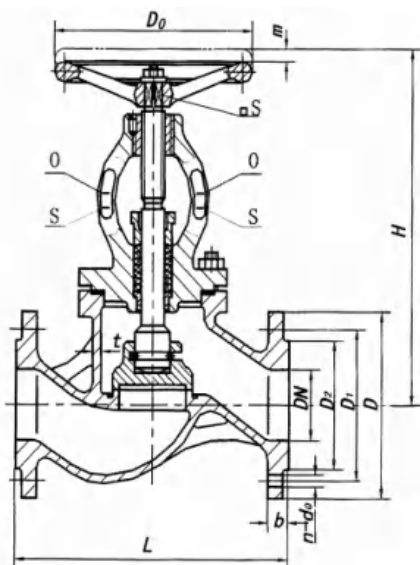


AS Type (PN $\leq$ 2.5MPa)

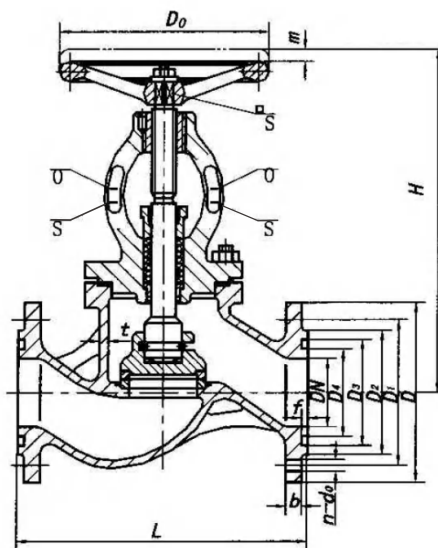
Dimensions(mm)

PN Mpa	DN Mm	L Mm	H Mm	Thickness		Flange				Nut		Handle Do	□S	Route M
				Mm	D	D1	D2	d0	b	N	Th			
0.6	15	130	217	4	80	55	40	11	12	4	M10	80	8	7
0.6	20	150	217	4	90	65	50	11	14	4	M10	80	8	7
0.6	25	160	217	4	100	75	60	11	14	4	M10	80	8	7
0.6	32	180	236	5	120	90	70	14	16	4	M12	100	9	9
0.6	40	200	260	5	130	100	80	14	16	4	M12	120	11	11
0.6	50	230	288	6	140	110	90	14	16	4	M12	140	12	14
0.6	65	290	335	6	160	130	110	14	16	4	M12	140	12	18
0.6	80	310	362	6	190	150	128	18	18	4	M16	160	14	24
0.6	100	350	417	7	210	170	148	18	18	4	M16	180	14	35
0.6	125	400	493	7	240	200	178	18	20	8	M16	200	17	44
0.6	150	480	556	7	265	225	202	18	20	8	M16	200	17	57
0.6	200	600	621	9	320	280	258	18	22	8	M16	250	22	68
0.6	250	730	721	9	375	335	312	18	24	12	M16	280	24	80
0.6	300	850	821	9	440	395	365	22	24	12	M20	320	27	100
1.0	200	600	621	10	340	295	268	22	24	8	M20	360	27	68
1.0	250	730	721	11	395	350	320	22	26	12	M20	450	32	80
1.0	300	850	821	11	445	400	370	22	26	12	M20	500	36	100
1.6	100	350	417	8	220	180	158	18	22	8	M16	250	22	35
1.6	125	400	493	8	250	210	184	18	22	8	M16	280	24	44
1.6	150	480	556	9	285	240	212	22	24	8	M20	320	27	57
1.6	200	600	621	9	340	295	268	22	24	12	M20	450	32	68
1.6	250	730	721	11	405	355	320	26	26	12	M24	500	36	80
1.6	300	850	821	11	460	410	370	26	28	12	M24	500	36	100

Note: Information listed might be subject to change without notice due to continuing products development.



AS Type (PN ≤ 2.5MPa)



AS Type (PN ≥ 4.0MPa)

Dimensions(mm)

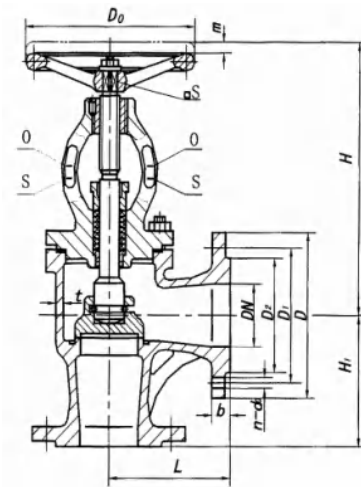
PN Mpa	DN Mm	L Mm	H Mm	Thickness Mm	Flange				Nut N	Handle Do	□S	Route M		
					D	D1	D2	d0					b	
2.5	15	130	217	5	95	65	47	14	14	4	M12	80	8	7
2.5	20	150	217	5	105	75	58	14	16	4	M12	80	8	7
2.5	25	160	217	5	115	85	68	14	16	4	M12	80	8	7
2.5	32	180	236	6	140	100	78	18	18	4	M16	100	9	9
2.5	40	200	260	6	150	110	88	18	18	4	M16	120	11	11
2.5	50	230	288	6	165	125	102	18	20	4	M16	140	12	14
2.5	65	290	335	7	185	145	122	18	22	8	M16	160	14	18
2.5	80	310	362	7	200	160	133	18	24	8	M16	200	17	24
2.5	100	350	427	7	235	190	158	22	24	8	M20	250	22	35
2.5	125	400	493	8	270	220	184	26	26	8	M24	280	24	44
2.5	150	480	556	8	300	250	212	26	28	8	M24	320	27	57
2.5	200	600	621	10	360	310	278	26	30	12	M24	450	32	68
2.5	250	730	721	11	425	370	335	30	32	12	M27	500	36	80
2.5	300	850	821	11	485	430	390	30	34	16	M27	500	36	100
4.0	65	290	409	8	185	145	122	18	22	8	M16	200	22	19
4.0	80	310	436	9	200	160	133	18	24	8	M16	250	22	23
4.0	100	350	466	9	235	190	158	22	24	8	M20	280	24	28

Note: Information listed might be subject to change without notice due to continuing products development.

Fig.6432  
Stainless Steel Globe Valve(BS Type)

Technical Specification	
Item	Specification
Design Standard	CB/T3942-2002
Type	BS Type
Working Pressure/ DN	0.6 Mpa DN15-DN300
	1.0 Mpa DN200-DN300
	1.6 Mpa DN100-DN300
	2.5 Mpa DN15-DN300 4.0 Mpa DN65-DN100
Suitable Media	Water, Oil&Gas

Material Specification		
Part	Material	Specification
Body	Stainless Steel	ZGCr18Ni9/ ZG00Cr17Ni14Mo3
Disc	Stainless Steel	ZGCr18Ni9/ ZG00Cr17Ni14Mo3
Cover	Stainless Steel	ZGCr18Ni9/ ZG00Cr17Ni14Mo3
Shaft	Stainless Steel	0Cr13
Packing	PTFE	-
PN $\geq$ 4.0MPa Butt Welded Sealing Surface	Stellite	



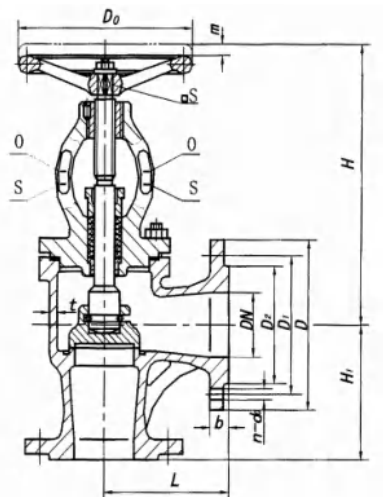
BS Type (PN $\leq$ 2.5MPa)

Dimensions(mm)

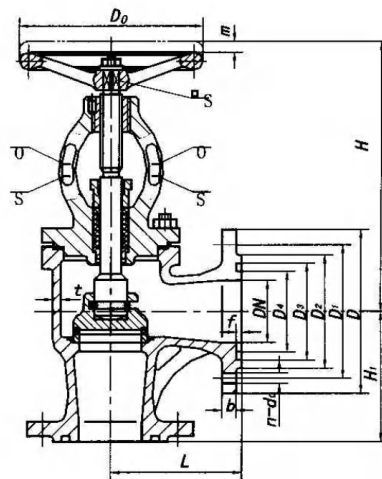
PN Mpa	DN Mm	L Mm	H Mm	H1 Mm	Thickness Mm	Flange				Nut N	Handle Do	Route M			
						D	D1	D2	d0						
0.6	15	90	203	90	4	80	55	40	11	12	4	M10	80	8	7
0.6	20	95	203	95	4	90	65	50	11	14	4	M10	80	8	7
0.6	25	100	203	100	4	100	75	60	11	14	4	M10	80	8	7
0.6	32	105	216	105	5	120	90	70	14	16	4	M12	100	9	9
0.6	40	115	236	115	5	130	100	80	14	16	4	M12	120	11	11
0.6	50	125	258	125	6	140	110	90	14	16	4	M12	140	12	14
0.6	65	145	301	145	6	160	130	110	14	16	4	M12	140	12	18
0.6	80	155	321	155	6	190	150	128	18	18	4	M16	160	14	24
0.6	100	175	368	175	7	210	170	148	18	18	4	M16	180	14	35
0.6	125	200	432	200	7	240	200	178	18	20	8	M16	200	17	44
0.6	150	225	484	225	7	265	225	202	18	20	8	M16	200	17	57
0.6	200	275	543	275	9	320	280	258	18	22	8	M16	250	22	68
0.6	250	325	623	325	9	375	335	312	18	24	12	M16	280	24	80
0.6	300	375	696	375	9	440	395	365	22	24	12	M20	320	27	100
1.0	200	275	543	275	10	340	295	268	22	24	8	M20	360	27	68
1.0	250	325	623	325	11	395	350	320	22	26	12	M20	450	32	80
1.0	300	375	696	375	11	445	400	370	22	26	12	M20	500	36	100
1.6	100	175	368	175	8	220	180	158	18	22	8	M16	250	22	35
1.6	125	200	432	200	8	250	210	184	18	22	8	M16	280	24	44
1.6	150	225	484	225	9	285	240	212	22	24	8	M20	320	27	57
1.6	200	275	543	275	9	340	295	268	22	24	12	M20	450	32	68
1.6	250	325	623	325	11	405	355	320	26	26	12	M24	500	36	80
1.6	300	375	696	375	11	460	410	370	26	28	12	M24	500	36	100

Note: Information listed might be subject to change without notice due to continuing products development.





BS Type (PN ≤ 2.5MPa)



BS Type (PN ≥ 4.0MPa)

Dimensions(mm)

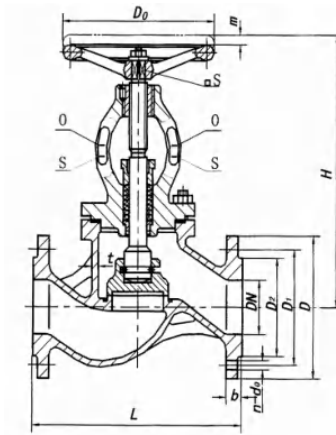
PN Mpa	DN Mm	L Mm	H Mm	H1 Mm	Thickness Mm	Flange				Nut N	Handle Do	□S	Route M		
						D	D1	D2	d0						
2.5	15	90	203	90	5	95	65	47	14	14	4	M12	80	8	7
2.5	20	95	203	95	5	105	75	58	14	16	4	M12	80	8	7
2.5	25	100	203	100	5	115	85	68	14	16	4	M12	80	8	7
2.5	32	105	216	105	6	140	100	78	18	18	4	M16	100	9	9
2.5	40	115	236	115	6	150	110	88	18	18	4	M16	120	11	11
2.5	50	125	258	125	6	165	125	102	18	20	4	M16	140	12	14
2.5	65	145	301	145	7	185	145	122	18	22	8	M16	160	14	18
2.5	80	155	325	155	7	200	160	133	18	24	8	M16	200	17	24
2.5	100	175	378	175	7	235	190	158	22	24	8	M20	250	22	35
2.5	125	200	432	200	8	270	220	184	26	26	8	M24	280	24	44
2.5	150	225	484	225	8	300	250	212	26	28	8	M24	320	27	57
2.5	200	275	543	275	10	360	310	278	26	30	12	M24	450	32	68
2.5	250	325	623	325	11	425	370	335	30	32	12	M27	500	36	80
2.5	300	375	696	375	11	485	430	390	30	34	16	M27	500	36	100
4.0	65	145	374	145	8	185	145	122	18	22	8	M16	200	22	19
4.0	80	155	394	155	9	200	160	133	18	24	8	M16	250	22	23
4.0	100	175	416	175	9	235	190	158	22	24	8	M20	280	24	28

Note: Information listed might be subject to change without notice due to continuing products development.

Fig.6415  
Stainless Steel Globe Valve(AS Type)

Technical Specification	
Item	Specification
Design Standard	CB/T3943-2002
Type	AS Type
Working Pressure/ DN	0.6 Mpa DN15-DN300
	1.0Mpa DN200-DN300
	1.6Mpa DN100-DN300
	2.5Mpa DN15-DN300
4.0Mpa DN65-DN100	
Suitable Media	Water, Oil&Gas

Material Specification		
Part	Material	Specification
Body	Stainless Steel	ZGCr18Ni9/ ZG00Cr17Ni14Mo3
Cover	Stainless Steel	ZGCr18Ni9/ ZG00Cr17Ni14Mo3
Disc	Stainless Steel	ZGCr18Ni9/ ZG00Cr17Ni14Mo3
Shaft	Stainless Steel	0Cr13
Packing	PTFE	-
PN $\geq$ 4.0MPa Butt Welded Sealing Surface	Stellite	

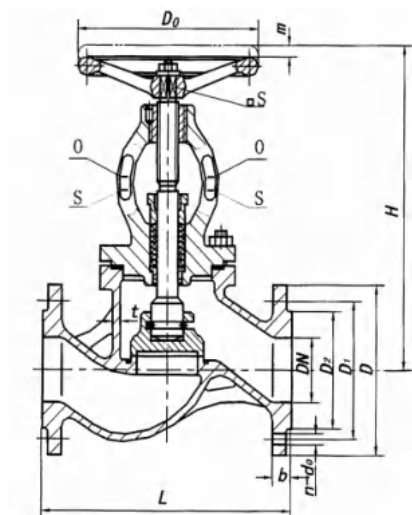


AS Type (PN $\leq$ 2.5MPa)

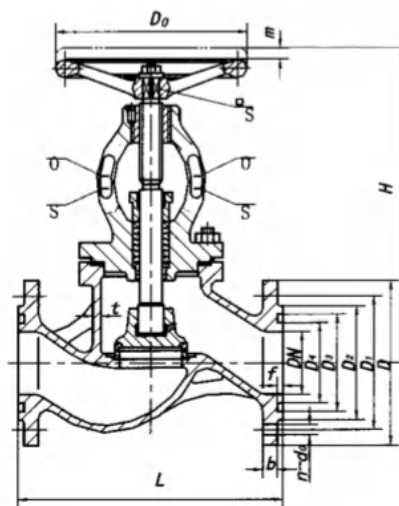
Dimensions(mm)

PN Mpa	DN Mm	L Mm	H Mm	Thickness		Flange				Nut		Handle		Route M
				Mm	D	D1	D2	d0	b	N	Th	Do	□S	
0.6	15	130	217	4	80	55	40	11	12	4	M10	80	8	7
0.6	20	150	217	4	90	65	50	11	14	4	M10	80	8	7
0.6	25	160	217	4	100	75	60	11	14	4	M10	80	8	7
0.6	32	180	236	5	120	90	70	14	16	4	M12	100	9	9
0.6	40	200	260	5	130	100	80	14	16	4	M12	120	11	11
0.6	50	230	288	6	140	110	90	14	16	4	M12	140	12	14
0.6	65	290	335	6	160	130	110	14	16	4	M12	140	12	18
0.6	80	310	362	6	190	150	128	18	18	4	M16	160	14	24
0.6	100	350	417	7	210	170	148	18	18	4	M16	180	14	25
0.6	125	400	493	7	240	200	178	18	20	8	M16	200	17	32
0.6	150	480	556	7	265	225	202	18	20	8	M16	200	17	38
0.6	200	600	621	9	320	280	258	18	22	8	M16	250	22	50
0.6	250	730	721	9	375	335	312	18	24	12	M16	280	24	60
0.6	300	850	821	9	440	395	365	22	24	12	M20	320	27	75
1.0	200	600	621	10	340	295	268	22	24	8	M20	360	27	50
1.0	250	730	721	11	395	350	320	22	26	12	M20	450	32	60
1.0	300	850	821	11	445	400	370	22	26	12	M20	500	36	75
1.6	100	350	417	8	220	180	158	18	22	8	M16	250	22	25
1.6	125	400	493	8	250	210	184	18	22	8	M16	280	24	32
1.6	150	480	556	9	285	240	212	22	24	8	M20	320	27	38
1.6	200	600	621	9	340	295	268	22	24	12	M20	450	32	50
1.6	250	730	721	11	405	355	320	26	26	12	M24	500	36	60
1.6	300	850	821	11	460	410	370	26	28	12	M24	500	36	75

Note: Information listed might be subject to change without notice due to continuing products development.4



AS Type (PN ≤ 2.5MPa)



AS Type (PN ≥ 4.0MPa)

Dimensions(mm)

PN Mpa	DN Mm	L Mm	H Mm	Thickness Mm	Flange				Nut N	Handle Do	□S	Route M	
					D	D1	D2	d0					
2.5	15	130	217	5	95	65	47	14	4	M12	80	8	7
2.5	20	150	217	5	105	75	58	14	4	M12	80	8	7
2.5	25	160	217	5	115	85	68	14	4	M12	80	8	7
2.5	32	180	236	6	140	100	78	18	4	M16	100	9	9
2.5	40	200	260	6	150	110	88	18	4	M16	120	11	11
2.5	50	230	288	6	165	125	102	18	4	M16	140	12	14
2.5	65	290	335	7	185	145	122	18	8	M16	160	14	18
2.5	80	310	366	7	200	160	133	18	8	M16	200	17	24
2.5	100	350	427	7	235	190	158	22	8	M20	250	22	25
2.5	125	400	493	8	270	220	184	26	8	M24	280	24	32
2.5	150	480	556	8	300	250	212	26	8	M24	320	27	38
2.5	200	600	621	10	360	310	278	26	12	M24	450	32	50
2.5	250	730	721	11	425	370	335	30	12	M27	500	36	60
2.5	300	850	821	11	485	430	390	30	16	M27	500	36	75
4.0	65	290	409	8	185	145	122	18	8	M16	250	22	19
4.0	80	310	436	9	200	160	133	18	8	M16	250	22	23
4.0	100	350	466	9	235	190	158	22	8	M20	280	24	28

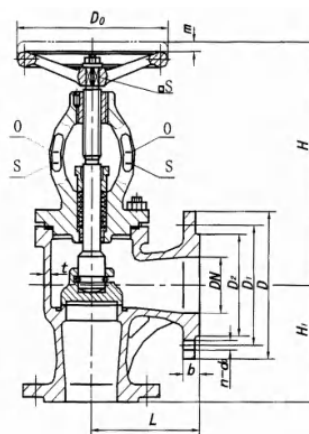
Note: Information listed might be subject to change without notice due to continuing products development.4



Fig.6435  
Stainless Steel Globe Valve(BS Type)

Technical Specification	
Item	Specification
Design Standard	CB/T3943-2002
Type	BS Type
Working Pressure/ DN	0.6 Mpa DN15-DN300
	1.0Mpa DN200-DN300
	1.6Mpa DN100-DN300
	2.5Mpa DN15-DN300 4.0Mpa DN65-DN100
Suitable Media	Water, Oil&Gas

Material Specification		
Part	Material	Specification
Body	Stainless Steel	ZGCr18Ni9/ ZG00Cr17Ni14Mo3
Cover	Stainless Steel	ZGCr18Ni9/ ZG00Cr17Ni14Mo3
Disc	Stainless Steel	ZGCr18Ni9/ ZG00Cr17Ni14Mo3
Shaft	Stainless Steel	0Cr13
Packing	PTFE	-
PN $\geq$ 4.0MPa Butt Welded Sealing Surface	Stellite	

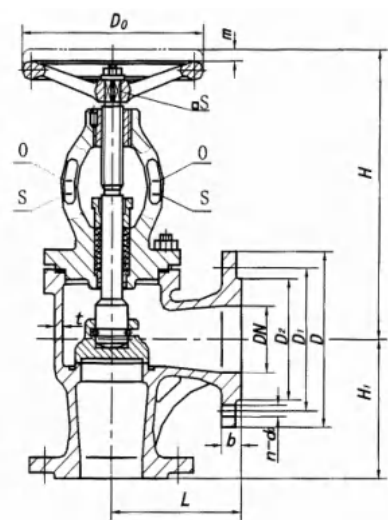


BS Type (PN $\leq$ 2.5MPa)

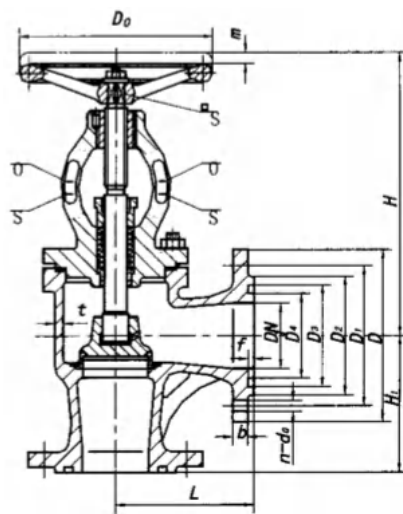
Dimensions(mm)

PN	DN	L	H	H1	Thickness	Flange				Nut	Handle		Route M		
						D	D1	D2	d0		b	N		Th	Do
0.6	15	90	203	90	4	80	55	40	11	12	4	M10	80	8	7
0.6	20	95	203	95	4	90	65	50	11	14	4	M10	80	8	7
0.6	25	100	203	100	4	100	75	60	11	14	4	M10	80	8	7
0.6	32	105	216	105	5	120	90	70	14	16	4	M12	100	9	9
0.6	40	115	236	115	5	130	100	80	14	16	4	M12	120	11	11
0.6	50	125	258	125	6	140	110	90	14	16	4	M12	140	12	14
0.6	65	145	301	145	6	160	130	110	14	16	4	M12	140	12	18
0.6	80	155	321	155	6	190	150	128	18	18	4	M16	160	14	24
0.6	100	175	368	175	7	210	170	148	18	18	4	M16	180	14	25
0.6	125	200	432	200	7	240	200	178	18	20	8	M16	200	17	32
0.6	150	225	484	225	7	265	225	202	18	20	8	M16	200	17	38
0.6	200	275	543	275	9	320	280	258	18	22	8	M16	250	22	50
0.6	250	325	623	325	9	375	335	312	18	24	12	M16	280	24	60
0.6	300	375	696	375	9	440	395	365	22	24	12	M20	320	27	75
1.0	200	275	543	275	10	340	295	268	22	24	8	M20	360	27	50
1.0	250	325	623	325	11	395	350	320	22	26	12	M20	450	32	60
1.0	300	375	696	375	11	445	400	370	22	26	12	M20	500	36	75
1.6	100	175	368	175	8	220	180	158	18	22	8	M16	250	22	25
1.6	125	200	432	200	8	250	210	184	18	22	8	M16	280	24	32
1.6	150	225	484	225	9	285	240	212	22	24	8	M20	320	27	38
1.6	200	275	543	275	9	340	295	268	22	24	12	M20	450	32	50
1.6	250	325	623	325	11	405	355	320	26	26	12	M24	500	36	60
1.6	300	375	696	375	11	460	410	370	26	28	12	M24	500	36	75

Note: Information listed might be subject to change without notice due to continuing products development.4



BS Type (PN ≤ 2.5MPa)



BS Type (PN ≥ 4.0MPa)

Dimensions(mm)

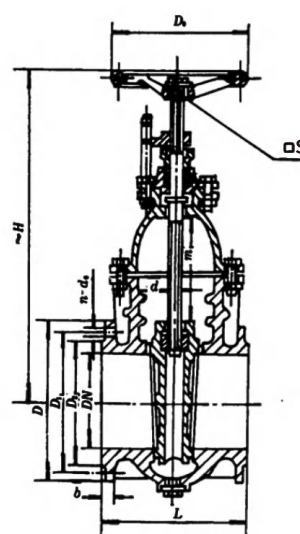
PN Mpa	DN Mm	L Mm	H Mm	H1 Mm	Thickness Mm	Flange					Nut N	Handle		Route	
						D	D1	D2	d0	b		Th	Do	□S	M
2.5	15	90	203	90	5	95	65	47	14	14	4	M12	80	8	7
2.5	20	95	203	95	5	105	75	58	14	16	4	M12	80	8	7
2.5	25	100	203	100	5	115	85	68	14	16	4	M12	80	8	7
2.5	32	105	216	105	6	140	100	78	18	18	4	M16	100	9	9
2.5	40	115	236	115	6	150	110	88	18	18	4	M16	120	11	11
2.5	50	125	258	125	6	165	125	102	18	20	4	M16	140	12	14
2.5	65	145	301	145	7	185	145	122	18	22	8	M16	160	14	18
2.5	80	155	325	155	7	200	160	133	18	24	8	M16	200	17	24
2.5	100	175	378	175	7	235	190	158	22	24	8	M20	250	22	25
2.5	125	200	432	200	8	270	220	184	26	26	8	M24	280	24	32
2.5	150	225	484	225	8	300	250	212	26	28	8	M24	320	27	38
2.5	200	275	543	275	10	360	310	278	26	30	12	M24	450	32	50
2.5	250	325	623	325	11	425	370	335	30	32	12	M27	500	36	60
2.5	300	375	696	375	11	485	430	390	30	34	16	M27	500	36	75
4.0	65	145	374	145	8	185	145	122	18	22	8	M16	250	22	19
4.0	80	155	394	155	9	200	160	133	18	24	8	M16	250	22	23
4.0	100	175	416	175	9	235	190	158	22	24	8	M20	280	24	28

Note: Information listed might be subject to change without notice due to continuing products development.4

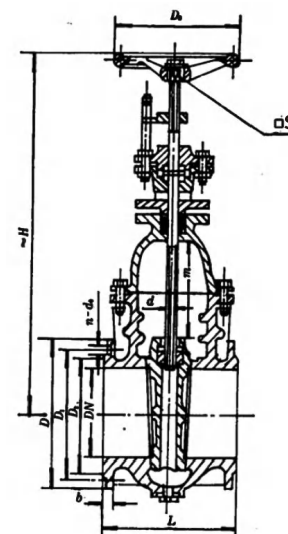
Fig.3157  
Bronze Gate Valve

Technical Specification	
Item	Specification
Design Standard	CB/T467-1995
Type	AS Type
Working Pressure/ DN	0.6 Mpa DN40-DN150
	0.4Mpa DN175-DN300
	0.25Mpa DN350-DN500
Suitable Media	Water, Oil&Gas

Material Specification		
Part	Material	Specification
Body	Cast Tin Bronze	ZQSn10-2
Cover	Cast Tin Bronze	ZQSn10-2
Disc	Cast Tin Bronze	ZQSn10-2
Shaft	Aluminium Bronze	QAl19-2
Nut	Aluminium Bronze	QAl19-2



DN 40~300



DN 350~500

Dimensions(mm)

PN Mpa	DN Mm	L Mm	H Mm	Flange				Nut N	Hanbdle Do	Route M			
				D	D1	D2	d0						
0.6	40	165	330	130	100	80	14	16	4	M12	160	□S 14	48
0.6	50	178	340	140	110	90	14	16	4	M12	180	□S 14	60
0.6	65	190	372	160	130	110	14	16	4	M12	180	□S 14	75
0.6	80	203	430	190	150	128	18	18	4	M16	200	□S 17	92
0.6	100	229	460	210	170	148	18	18	4	M16	200	□S 17	112
0.6	125	254	528	240	200	178	18	20	8	M16	225	□S 19	138
0.6	150	267	566	265	225	202	18	20	8	M16	225	□S 19	165
0.4	175	292	630	295	255	232	18	22	8	M16	250	□S 22	190
0.4	200	292	665	320	280	258	18	22	8	M16	250	□S 22	215
0.4	250	330	755	375	335	312	18	24	12	M16	280	□S 24	265
0.4	300	356	835	440	395	365	22	24	12	M20	280	□S 24	315
0.25	350	381	1050	490	445	415	22	26	12	M20	320	□S 27	365
0.25	400	406	1145	540	495	465	22	28	16	M20	360	□S 27	418
0.25	450	432	1330	595	550	520	22	28	16	M20	400	□S 32	468
0.25	500	457	1420	645	600	570	22	30	20	M20	450	□S 32	518

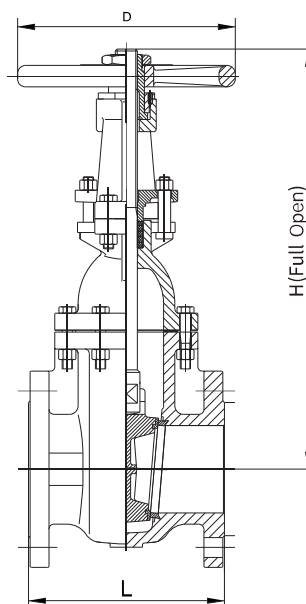
Note: Information listed might be subject to change without notice due to continuing products development.4



Technical Specification	
Item	Specification
Design Standard	CB/T465-1996
Working Pressure	25bar/125LB
Nominal Diamete	DN50-600
Flange Connectio	PN16 /PN25
Working Tempera	-10°C to 120°C
Suitable Media	Water, Oil&Gas



Material Specification		
Part	Material	Specification
Body	Cast Iron	HT250
Cover	Cast Iron	HT250
Disc	Cast Iron	HT250
Seat Seal	Bronze	CuSn5Pb5Zn5
Shaft	Brass	HPb63-3
	Stainless Steel	2Cr13
Packing	Graphite	Non-asbestos
Handle	Cast Iron	HT250



Dimensions(mm)

DN	mm	50	65	80	100	125	150	200	250	300	350	400	450	500	600
	Inch	2	2-1/2	3	4	5	6	8	10	12	14	16	18	20	24
L		178	190	203	229	254	267	292	330	356	381	406	432	457	508
H		375	422	475	606	683	828	1003	1211	1421	1641	1828	2047	2246	2632
D		178	178	200	254	300	300	348	400	457	560	560	610	610	765

Note: Information listed might be subject to change without notice due to continuing products development.4

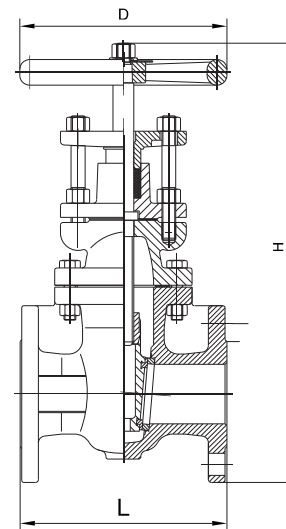




Technical Specification	
Item	Specification
Design Standard	CB/T465-1996
Working Pressure	25bar/125LB
Nominal Diameter	DN50-600
Flange Connectio	PN16 /PN25
Working Temperature	-10°C to 120°C
Suitable Media	Water, Oil&Gas



Material Specification		
Part	Material	Specification
Body	Cast Iron	HT250
Cover	Cast Iron	HT250
Disc	Cast Iron	HT250
Seat Seal	Bronze	CuSn5Pb5Zn5
Shaft	Brass	HPb63-3
	Stainless Steel	2Cr13
Packing	Graphite	Non-asbestos
Handle	Cast Iron	HT250



Dimensions(mm)

DN	mm	50	65	80	100	125	150	200	250	300	350	400	450	500	600
	Inch	2	2-1/2	3	4	5	6	8	10	12	14	16	18	20	24
L		178	190	203	229	254	267	292	330	356	381	406	432	457	508
H		302	332	335	423	485	545	644	769	860	987	1044	1148	1257	1418
D		178	178	200	254	300	300	348	400	457	560	560	610	610	765

Note: Information listed might be subject to change without notice due to continuing products development.4



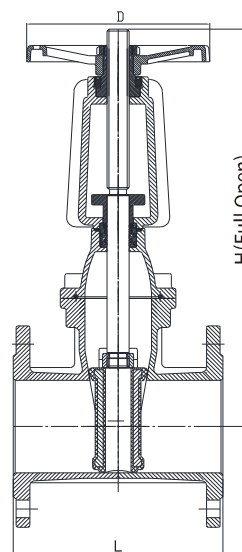
BUREAU  
VERITAS



Technical Specification	
Item	Specification
Design	CB/T465-1996
Working Pressure	16bar/25bar DN50~DN300 16bar DN350~DN400
Nominal Diamete	DN50-400
Flange Connection	PN16 / PN25
Working Temperature	-20°C to 110°C (EPDM) -10°C to 80°C (NBR)
Suitable Media	Water, Oil&Gas



Material Specification		
Part	Material	Specification
Body	Ductile Iron	QT500-7
Cover	Ductile Iron	QT500-7
Disc	DI+Rubber	QT500-7
Shaft	Stainless Steel	2Cr13
	Stainless Steel	1Cr17Ni2
O-Ring	EPDM/NBR	-
Nut	Ductile Iron	QT500-7
Handle	Ductile Iron	QT500-7



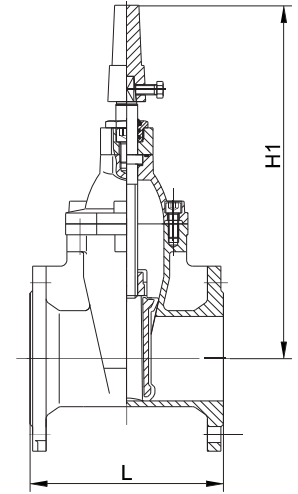
Dimensions(mm)

DN	Inch	2	2-1/2	3	4	5	6	8	10	12	14	16
L		178	190	203	229	254	267	292	330	356	381	406
H(全开)		363	403	483	534	661	727	936	1112	1291	1514	1691
D		160	200	200	200	250	250	320	370	370	450	450

Note: Information listed might be subject to change without notice due to continuing products development.4

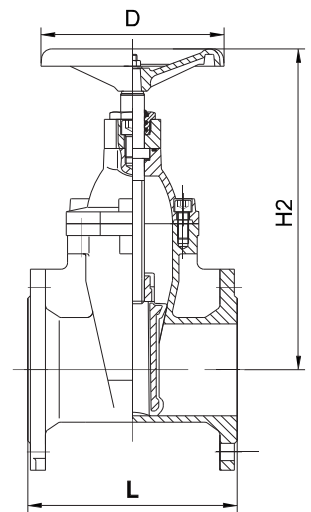


Technical Specification	
Item	Specification
Design	CB/T465-1996
Working Pressure	16bar/25bar DN50~DN300 16bar DN350~DN600
Nominal Diameter	DN50-600
Flange Connection	PN16 / PN25
Working Temperature	-20°C to 110°C (EPDM) -10°C to 80°C (NBR)
Suitable Media	Water, Oil&Gas



A

Material Specification		
Part	Material	Specification
Body	Ductile Iron	QT500-7
Cover	Ductile Iron	QT500-7
Disc	DI+Rubber	QT500-7
Shaft	Stainless Steel	2Cr13
	Stainless Steel	1Cr17Ni2
O-Ring	EPDM/NBR	-
Nut	Ductile Iron	QT500-7
Handle	Ductile Iron	QT500-7



B

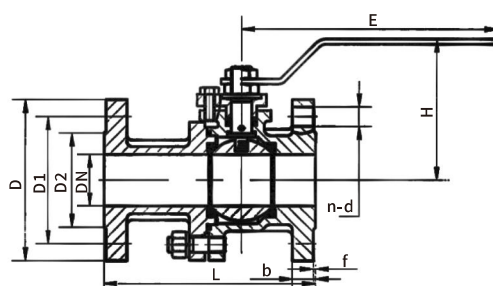
Dimensions(mm)

DN	mm	50	65	80	100	125	150	200	250	300	350	400	450	500	600
	Inch	2	2-1/2	3	4	5	6	8	10	12	14	16	18	20	24
L		178	190	203	229	254	267	292	330	356	381	406	432	457	508
H1		291	318	355	381	445	485	572	656	773	947	1022	1092	1171	1313
H2		210	237	274	300	364	404	497	590	667	882	956	1027	1106	1258
D		160	200	200	200	250	250	320	370	370	450	450	640	640	640

Note: Information listed might be subject to change without notice due to continuing products development.4

Technical Specification	
Item	Specification
Design Standa	CB/T4480-2017
Type	AS Type
Working Pressure	0.6/1/1.6/2.5/4 Mpa
Dimensions	DN15-DN150
Suitable Media	Water, Oil&Gas

Material Specification		
Part	Material	Specification
Body	Stainless Steel	CF3/CF8/CF3M/CF8M
Ball	Stainless Steel	CF3/CF8/CF3M/CF8M
Shaft	Stainless Steel	06cr19Ni10 / 022Cr19Ni10/ 06Cr17Ni12Mo2 / 022Cr17Ni12Mo2
Seal Ring	PTFE	PTFE



AS Type (PN ≤ 2.5MPa)

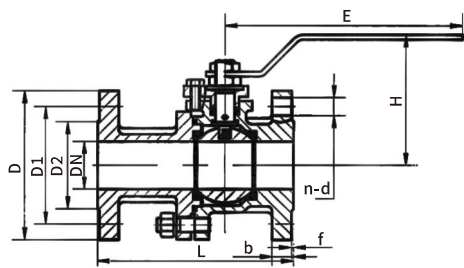
Dimensions(mm)

PN Mpa	DN Mm	L Mm	H Mm	E Mm	Thickness Mm	Flange				Nut		
						D	D1	D2	d0	b	N	Th
0.6	15	108	80	165	3	80	55	40	11	12	4	M10
0.6	20	117	83	165	3	90	65	50	11	14	4	M10
0.6	25	127	89	165	3.5	100	75	60	11	14	4	M10
0.6	32	140	95	165	4.5	120	90	70	14	14	4	M14
0.6	40	165	110	200	4.5	130	100	80	14	14	4	M14
0.6	50	178	118	200	5.0	140	110	90	14	14	4	M14
0.6	65	190	134	320	5.0	160	130	110	14	14	4	M14
0.6	80	203	145	320	5.5	190	150	128	18	16	4	M16
0.6	100	229	165	400	6.0	210	170	148	18	16	4	M16
0.6	125	356	195	550	6.5	240	200	178	18	18	8	M16
0.6	150	394	220	550	6.5	265	225	202	18	18	8	M16
1.0	15	108	80	165	3.0	95	65	45	14	16	4	M12
1.0	20	117	83	165	3.0	105	75	58	14	18	4	M12
1.0	25	127	89	165	3.5	115	85	68	14	18	4	M12
1.0	32	140	95	165	4.5	140	100	78	18	18	4	M16
1.0	40	165	110	200	4.5	150	110	88	18	18	4	M16
1.0	50	178	118	200	5.0	165	125	102	18	20	4	M16
1.0	65	190	134	320	5.0	185	145	122	18	18	8	M16
1.0	80	203	145	320	5.5	200	160	138	18	24	8	M16
1.0	100	229	165	400	6.0	220	180	158	18	20	8	M20
1.0	125	356	195	550	6.5	250	210	188	18	22	8	M20
1.0	150	394	220	550	6.5	285	240	212	22	22	8	M20

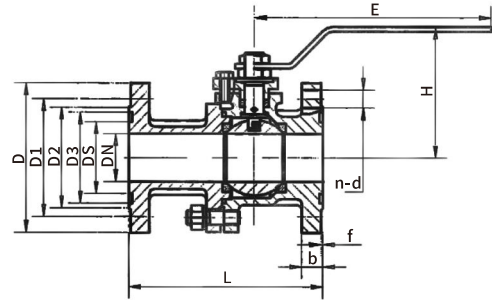
Note: Information listed might be subject to change without notice due to continuing products development.4



Fig.4312  
Two-Piece Ball Valve(AS Type)



AS Type (PN ≤ 2.5 MPa)



AS Type (PN = 4.0 MPa)

Dimensions(mm)

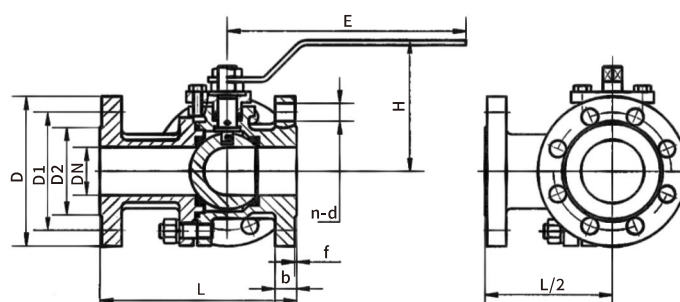
PN Mpa	DN Mm	L Mm	H Mm	E Mm	Thickness Mm	Flange					Nut	
						D	D1	D2	d0	b	N	Th
1.6	15	108	80	165	3.0	95	65	45	14	16	4	M12
1.6	20	117	83	165	3.5	105	75	58	14	18	4	M12
1.6	25	127	89	165	4.0	115	85	68	14	18	4	M12
1.6	32	140	95	165	5.0	140	100	78	18	18	4	M16
1.6	40	165	110	200	5.0	150	110	88	18	18	4	M16
1.6	50	178	118	200	5.5	165	125	102	18	20	4	M16
1.6	65	190	134	320	5.5	185	145	122	18	18	8	M16
1.6	80	203	145	320	6.0	200	160	138	18	24	8	M16
1.6	100	229	165	400	6.5	220	180	158	18	20	8	M20
1.6	125	356	195	550	7.0	250	210	188	18	22	8	M20
1.6	150	394	220	550	7.0	285	240	212	22	22	8	M20
2.5	15	140	80	165	3.0	95	65	45	14	16	4	M12
2.5	20	152	83	165	3.5	105	75	58	14	18	4	M12
2.5	25	165	89	165	4.5	115	85	68	14	18	4	M12
2.5	32	178	95	165	5.0	140	100	78	18	18	4	M16
2.5	40	190	110	200	5.0	150	110	88	18	18	4	M16
2.5	50	216	118	200	6.0	165	125	102	18	20	4	M16
2.5	65	241	134	320	6.0	185	145	122	18	22	8	M16
2.5	80	283	145	320	6.5	200	160	138	18	24	8	M16
2.5	100	305	165	400	7.0	235	190	162	22	24	8	M20
2.5	125	381	195	550	7.5	270	220	188	26	26	8	M24
2.5	150	403	220	550	7.5	300	250	218	26	28		M24
4.0	15	140	80	165	4.0	95	65	45	14	16	4	M12
4.0	20	152	83	165	4.0	105	75	58	14	18	4	M12
4.0	25	165	89	165	5.0	115	85	68	14	18	4	M12
4.0	32	178	95	165	5.0	140	100	78	18	18	4	M16
4.0	40	190	110	200	5.0	150	110	88	18	18	4	M16
4.0	50	216	118	200	6.0	165	125	102	18	20	4	M16
4.0	65	241	134	320	6.5	185	145	122	18	22	8	M16
4.0	80	283	145	320	7.0	200	160	138	18	24	8	M16
4.0	100	305	165	400	7.5	235	190	162	22	24	8	M20
4.0	125	381	195	550	9.0	270	220	188	26	26	8	M24
4.0	150	403	220	550	9.0	300	250	218	26	28	8	M24

Note: Information listed might be subject to change without notice due to continuing products development.4

Technical Specification	
Item	Specification
Design Standard	CB/T4480-2017
Type	BS Type
Working Pressure	0.6/1/1.6/2.5/4 Mpa
Dimensions	DN15-DN150
Suitable Media	Water, Oil&Gas



Material Specification		
Part	Material	Specification
Body	Stainless Steel	CF3/CF8/CF3M/CF8M
Ball	Stainless Steel	CF3/CF8/CF3M/CF8M
Shaft	Stainless Steel	06cr19Ni10 / 022Cr19Ni10/ 06Cr17Ni12Mo2 / 022Cr17Ni12Mo2
Seal Ring	PTFE	-



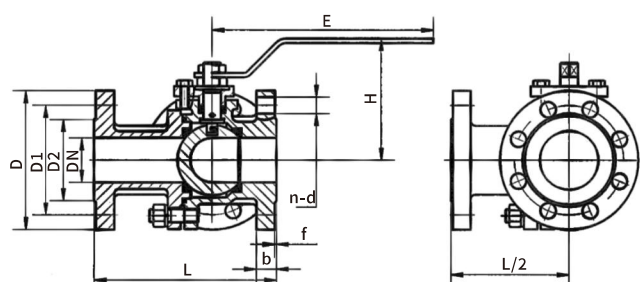
BS Type (PN ≤ 2.5MPa)

Dimensions(mm)

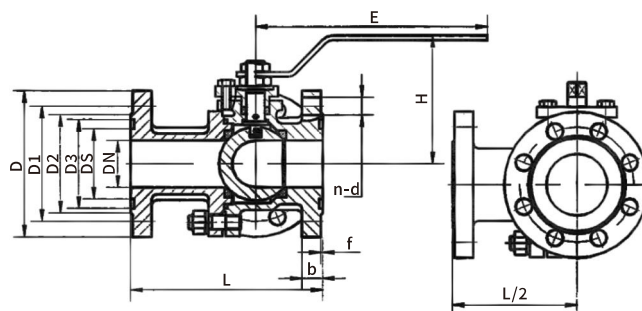
PN Mpa	DN Mm	L Mm	H Mm	E Mm	Thickness Mm	Flange					Nut	
						D	D1	D2	d0	b	N	Th
0.6	15	108	80	165	3	80	55	40	11	12	4	M10
0.6	20	117	83	165	3	90	65	50	11	14	4	M10
0.6	25	127	89	165	3.5	100	75	60	11	14	4	M10
0.6	32	140	95	165	4.5	120	90	70	14	14	4	M14
0.6	40	165	110	200	4.5	130	100	80	14	14	4	M14
0.6	50	178	118	200	5.0	140	110	90	14	14	4	M14
0.6	65	190	134	320	5.0	160	130	110	14	14	4	M14
0.6	80	203	145	320	5.5	190	150	128	18	16	4	M16
0.6	100	229	165	400	6.0	210	170	148	18	16	4	M16
0.6	125	356	195	550	6.5	240	200	178	18	18	8	M16
0.6	150	394	220	550	6.5	265	225	202	18	18	8	M16
1.0	15	108	80	165	3.0	95	65	45	14	16	4	M12
1.0	20	117	83	165	3.0	105	75	58	14	18	4	M12
1.0	25	127	89	165	3.5	115	85	68	14	18	4	M12
1.0	32	140	95	165	4.5	140	100	78	18	18	4	M16
1.0	40	165	110	200	4.5	150	110	88	18	18	4	M16
1.0	50	178	118	200	5.0	165	125	102	18	20	4	M16
1.0	65	190	134	320	5.0	185	145	122	18	18	8	M16
1.0	80	203	145	320	5.5	200	160	138	18	24	8	M16
1.0	100	229	165	400	6.0	220	180	158	18	20	8	M20
1.0	125	356	195	550	6.5	250	210	188	18	22	8	M20
1.0	150	394	220	550	6.5	285	240	212	22	22	8	M20

Note: Information listed might be subject to change without notice due to continuing products development.4

Fig.4332  
Two-Piece Ball Valve(BS Type)



BS Type (PN ≤ 2.5 MPa)



BS Type (PN = 4.0 MPa)

Dimensions(mm)

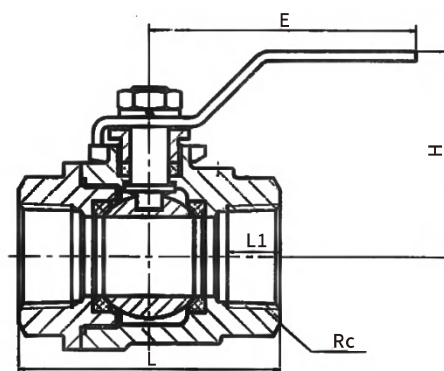
PN Mpa	DN Mm	L Mm	H Mm	E Mm	Thickness Mm	Flange					Nut	
						D	D1	D2	d0	b	N	Th
1.6	15	108	80	165	3.0	95	65	45	14	16	4	M12
1.6	20	117	83	165	3.5	105	75	58	14	18	4	M12
1.6	25	127	89	165	4.0	115	85	68	14	18	4	M12
1.6	32	140	95	165	5.0	140	100	78	18	18	4	M16
1.6	40	165	110	200	5.0	150	110	88	18	18	4	M16
1.6	50	178	118	200	5.5	165	125	102	18	20	4	M16
1.6	65	190	134	320	5.5	185	145	122	18	18	8	M16
1.6	80	203	145	320	6.0	200	160	138	18	24	8	M16
1.6	100	229	165	400	6.5	220	180	158	18	20	8	M20
1.6	125	356	195	550	7.0	250	210	188	18	22	8	M20
1.6	150	394	220	550	7.0	285	240	212	22	22	8	M20
2.5	15	140	80	165	3.0	95	65	45	14	16	4	M12
2.5	20	152	83	165	3.5	105	75	58	14	18	4	M12
2.5	25	165	89	165	4.5	115	85	68	14	18	4	M12
2.5	32	178	95	165	5.0	140	100	78	18	18	4	M16
2.5	40	190	110	200	5.0	150	110	88	18	18	4	M16
2.5	50	216	118	200	6.0	165	125	102	18	20	4	M16
2.5	65	241	134	320	6.0	185	145	122	18	22	8	M16
2.5	80	283	145	320	6.5	200	160	138	18	24	8	M16
2.5	100	305	165	400	7.0	235	190	162	22	24	8	M20
2.5	125	381	195	550	7.5	270	220	188	26	26	8	M24
2.5	150	403	220	550	7.5	300	250	218	26	28		M24
4.0	15	140	80	165	4.0	95	65	45	14	16	4	M12
4.0	20	152	83	165	4.0	105	75	58	14	18	4	M12
4.0	25	165	89	165	5.0	115	85	68	14	18	4	M12
4.0	32	178	95	165	5.0	140	100	78	18	18	4	M16
4.0	40	190	110	200	5.0	150	110	88	18	18	4	M16
4.0	50	216	118	200	6.0	165	125	102	18	20	4	M16
4.0	65	241	134	320	6.5	185	145	122	18	22	8	M16
4.0	80	283	145	320	7.0	200	160	138	18	24	8	M16
4.0	100	305	165	400	7.5	235	190	162	22	24	8	M20
4.0	125	381	195	550	9.0	270	220	188	26	26	8	M24
4.0	150	403	220	550	9.0	300	250	218	26	28	8	M24

Note: Information listed might be subject to change without notice due to continuing products development.4

Technical Specification	
Item	Specification
Design Standard	CB/T4480-2017
Type	BS Type
Working Pressure	0.6/1/1.6/2.5/4 Mpa
Dimensions	DN15-DN50
Suitable Media	Water,Oil&Gas



Material Specification		
Part	Material	Specification
Body	Stainless Steel/ Copper	CF3/CF8/CF3M/CF8M
Ball	Stainless Steel/ Copper	CF3/CF8/CF3M/CF8M
Shaft	Stainless Steel/ Copper	06cr19Ni10/022Cr19Ni10/ 06Cr17Ni12Mo2/ 022Cr17Ni12Mo2
Seal Ring	PTFE	-



Dimensions(mm)

PN Mpa	DN Mm	L Mm	H Mm	E Mm	Thickness Mm	Size of Thread Rc	L1
0.6/1.0	15	68	55	130	3.0	Rc1/2	13.5
0.6/1.0	20	78	58	130	3.0	Rc3/4	14.0
0.6/1.0	25	86	65	160	3.5	Rc1	17.5
0.6/1.0	32	100	71	190	4.5	Rc1 1/4	18.0
0.6/1.0	40	106	86	190	4.5	Rc1 1/2	18.5
0.6/1.0	50	130	94	190	5.0	Rc2	19.5
1.6	15	68	55	130	3.0	Rc1/2	13.5
0.6	20	78	58	130	3.5	Rc3/4	14.0
1.6	25	86	65	160	4.0	Rc1	17.5
1.6	32	100	71	160	5.0	Rc1 1/4	18.0
1.6	40	106	86	190	5.0	Rc1 1/2	18.5
1.6	50	130	94	190	5.5	Rc2	19.5
2.5	15	68	55	130	3.0	Rc1/2	13.5
2.5	20	78	58	130	3.5	Rc3/4	14.0
2.5	25	86	65	160	4.5	Rc1	17.5
2.5	32	100	71	160	5.0	Rc1 1/4	18.0
2.5	40	106	86	190	5.0	Rc1 1/2	18.5
2.5	50	130	94	190	6.0	Rc2	19.5
4.0	15	68	55	130	4.0	Rc1/2	13.5
4.0	20	78	58	130	4.0	Rc3/4	14.0
4.0	25	86	65	160	5.0	Rc1	17.5
4.0	32	100	71	160	5.0	Rc1 1/4	18.0
4.0	40	106	86	190	5.0	Rc1 1/2	18.5
4.0	50	130	94	190	6.0	Rc2	19.5

Note: Information listed might be subject to change without notice due to continuing products development.4



# GALAXY



**TIANJIN GALAXY VALVE CO., LTD.**

No.49 , Guanghui Road, Beizhakou Town,  
Jinnan District,Tianjin, China  
+86 2228750815

**GALAXY VALVES (THAILAND) CO., LTD.**

209/21 Moo 2, Tombon Phraeksamai, Amphoe Mueang Samutprakan,  
Changwat Samutprakan, Thailand

**GALA RS INC**

8605 Santa Monica Blvd 30327 West Hollywood, CA 90069  
+713 562 - 8136

**GALA INTERNATIONAL FZE**

LB18 2101-2103, Jafza View 18, Jafa,Duba, UAE  
+971 4 885 6516

